

ELITE+ Standard equipment

Hinge for Elite+







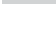
Produced in pressed steel, adjustable, with hidden screws. Usually painted as door color.



Hinge for Acoustic and Scudo door

Three wing hinge, produced in steel. Fixed to the leaf and frame by means of screws, hidden by plastic covers. Standard equipment black color, other finishes on request.

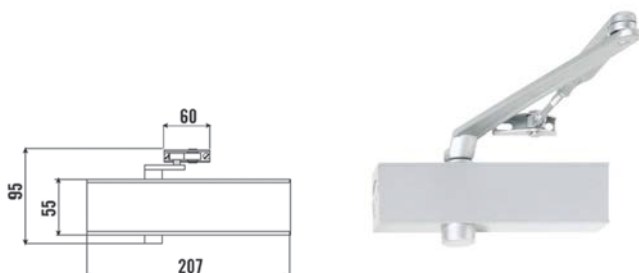


	Color	Handle	Cover
standard		yes	Black
on request		yes	White Ral 9010
		yes	Red Ral 3003
		yes	Blu Ral 5011/5013
		yes	Brown Ral 8022
		yes	Grey Ral 7030/7038
		Stainless steel	

ELITE+ accessories: door closers

Upper door closer with arm

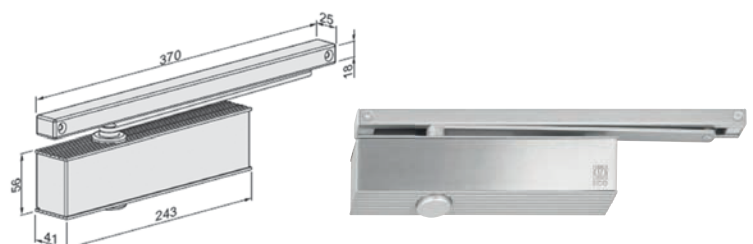
Rack-and-pinion door closer with adjustable closing force, size EN 3-4, closing speed adjustable in two independent ranges, with adjustable latching action. Non-handed. Tested according to EN 1154. Available in black, silver color or stainless steel.



Upper door closer with slide arm

Rack-and-pinion door closer with adjustable closing force, size EN 3-4, closing speed adjustable in two independent ranges, with adjustable latching action. Non-handed. Working on basic slide channel. Tested according to EN 1154. Available in black or silver color or stainless steel.

Leaf opening max at 180°.



PVC handle

Handle with U shape,
inside steel armour and plate with cylinder hole.
Complete of cylinder with three keys.
Standard equipment black color.
Other finishes on request.



Arm closing selector

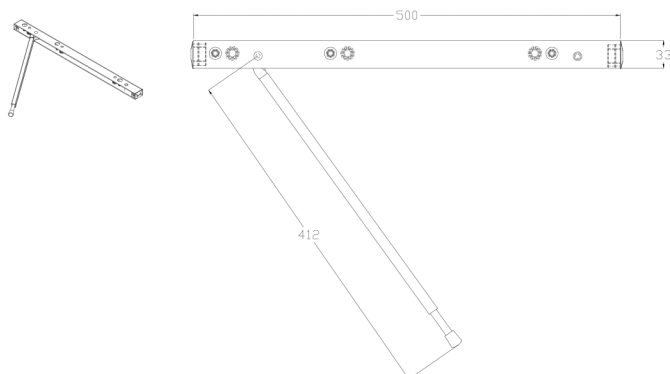
It coordinates the closing of the leaves.
Made of painted steel, fixed on the upper frame
Standard equipment black color.
Other finishes on request.



Selector device in closed position



Selector device in open position



Cylinder

European cylinder model Yale, complete of three keys.



Door closer system

Cam action door closer system mounted on mobile leaves, it allows a soft closing.

Double system for speed closing regulation: A) with open door at 10°; B) with open door less than 10°.

Working by long slide channel mounted on fixed frame of the door.

Closing selector inside the slide channel.

The whole system covered with aluminum cover silver or black color.

Leaf opening max at 180°.



ELITE+ accessories: electromagnets

Hold-on electromagnet

Electro magnet to hold the leaves in open position, complete of switch button and moving plate for fixing to the wall.

Technical details:
 Power: 50 kg
 Voltage: 24 V
 Absorption: 60 mA



Wall electromagnet made of black plastic support for fixing and white top.



Floor/Top electromagnet made of adjustable tube shape plastic, black color.



Moving plate.

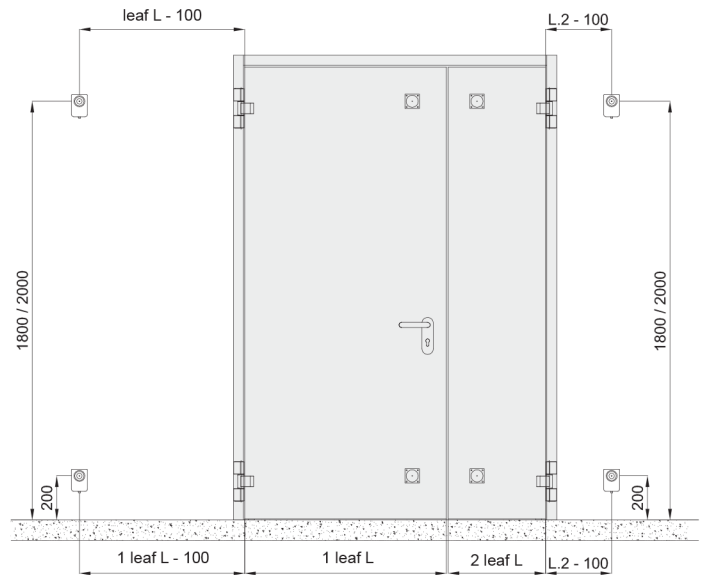
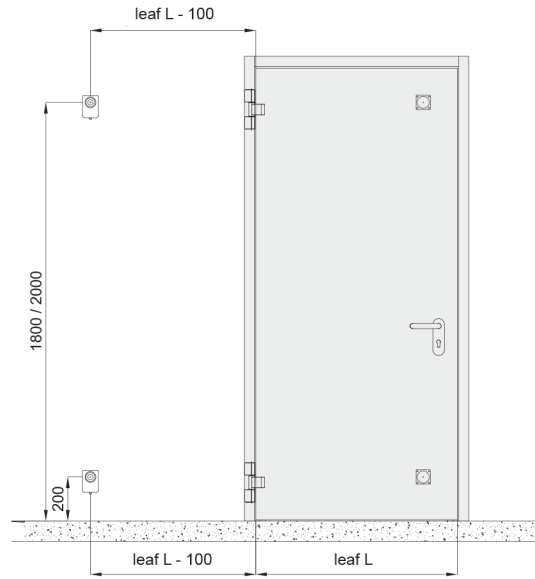
Security electromagnet / door holder

Electromagnet used to keep the leaves in closed position. Mounted in case of access control, in case of emergency the electromagnet releases the door and permits the closing.

Technical details:
 Power: 300 kg
 Voltage: 12/24 V
 Absorption: 290/590 mA

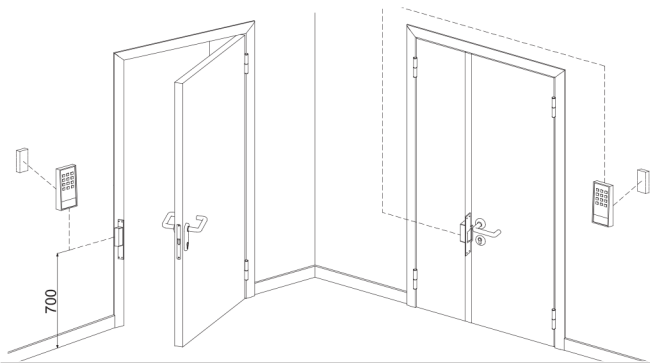


Scheme for application of electromagnets on Elite+ door

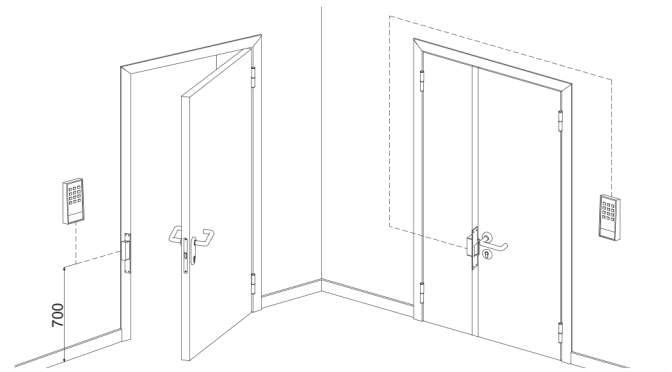


Scheme for installation of electric strike

- Push side: open by switch
- Pull side: open by badge
- Power: 12V ac/dc



- Push side: open by panic device or handle
- Pull side: open by badge
- Power: 12V ac/dc



NOTE: Panic device has to be mounted on first leaf, not on passive one.

PVC handle

Handle with U shape,
inside steel armour and plate with cylinder hole.
Complete of cylinder with three keys.
Standard equipment black color.
Other finishes on request.



Arm closing selector

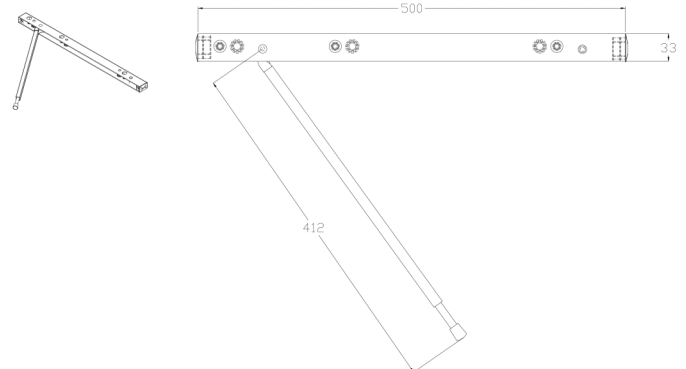
It coordinates the closing of the leaves.
Made of painted steel, fixed on the upper frame
Standard equipment black color.
Other finishes on request.



Selector device in closed position



Selector device in open position



Cylinder

European cylinder model Yale, complete of three keys.



Door closer system

Cam action door closer system mounted on mobile leaves, it allows a soft closing.

Double system for speed closing regulation: A) with open door at 10°; B) with open door less than 10°.

Working by long slide channel mounted on fixed frame of the door.

Closing selector inside the slide channel.

The whole system covered with aluminum cover silver or black color.

Leaf opening max at 180°.



ELITE+ accessories: access control

Electric handle

It permits the remote control opening of the door.
Reversible, neutral if no voltage, door opens by key (the key activates the handle, if key out the handle is no more active). Without timing, the handle opens only the time of the impulse.
Led inside the handle, it shows the door status.
Nichel-plated steel box, cover black or silver or grey color.



Technical details:
Voltage: 12/24 V
Working voltage: min. 5V max 28V
Absorption: 800 mA

Electric lock

Reversible, neutral if no voltage. If voltage, door opens with the key.
Without timing, the handle opens only the time of the impulse.



Technical details:
Voltage: 12 V
Absorption: 800 mA

Electric strike 118F

Electric door open with Fail Secure function. In case of power failure out, the door will be locked and can only be opened by key or panic device.
Only suitable for single leaf door.



Technical details:
Voltage: 12/24 V
Absorption: 280/560 mA

Electric contacts

Mounted on doors with access control system, in order to avoid any risk of burglary.



Magnetic sensor device

Indoor flush mounted, cable connection.
Technical details:
Working: reed contact out NC with magnet
Temperature: -25°C +70°C
Max tension: 200 Vcc
Electricity max: 1 A
Power max: 10 W

High security magnetic device

Concealed flush mounted with high security level. Triple balancing magnetic circuit boards.
Technical details:
Working: reed contact out NC with magnet
Temperature: -10°C +40°C
Max tension: 300 mA
Max power: 3 W

Scheme for installation of electric lock

Electric lock model Yale

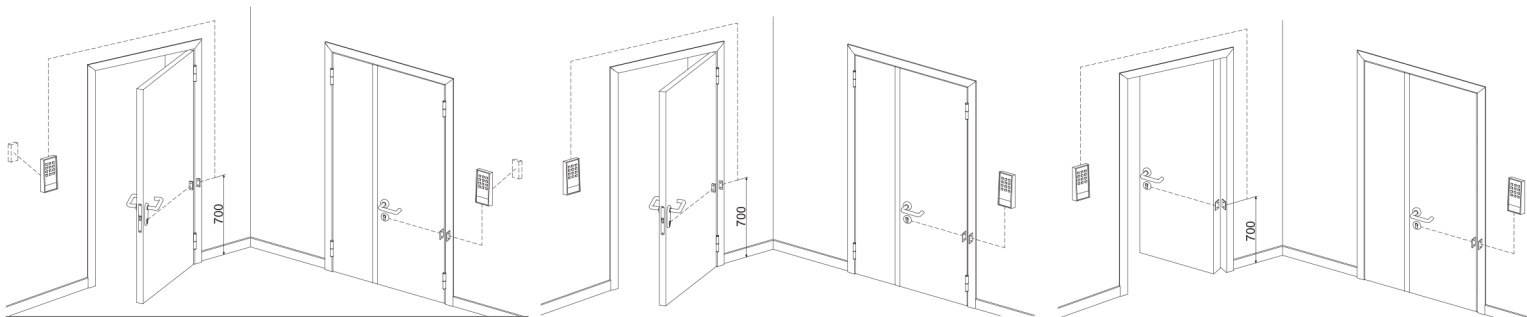
- Push side: open by switch
- Pull side: open by badge
- Power: 12 Vcc

Electric panic lock to push

- Push side: open by panic device or handle
- Pull side: open by badge
- Power: 12 Vcc

Electric panic lock to pull

- Push side: open by badge
- Pull side: open by handle
- Power: 12 Vcc



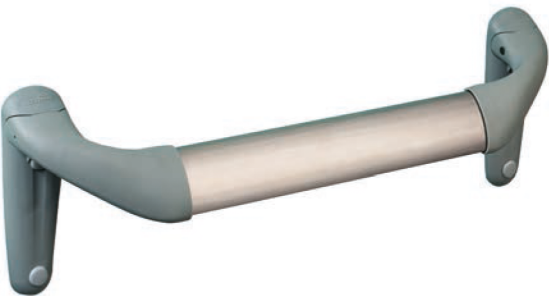
ELITE+ accessories: panic devices

Novoguard panic device

Certified according to EN1125. It works on mortise lock, reversible, with a ball bearing lever mechanism which is actuating the device with minimum effort.
 Aluminum bar can be easily cut on site in different sizes.
 Action mechanism black or grey color.



Novoguard aluminum bar, encumbrance mm. 79.



Novoguard stainless steel bar satin, encumbrance mm. 79.

Novopush panic device

Certified according to EN1125. It works on mortise lock, reversible, with a push mechanism on ball bearing.
 Aluminum compact bar in painted steel black color or stainless steel finish. Different sizes easily cut on site. Cover plastic black or grey color.



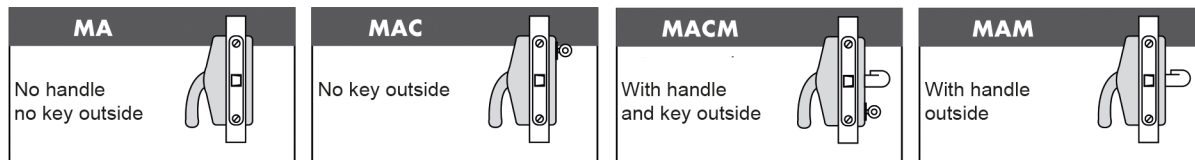
Novopush stainless steel finish, encumbrance mm. 73.



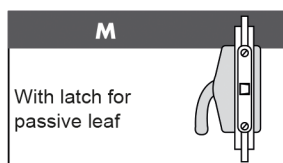
Novopush black bar with photoluminescent strip, encumbrance mm. 73.

Possible solutions:

First leaf



Second leaf



EPN panic device stainless steel

Certified according to EN 1125. It works on mortise lock, reversible. Completely constructed in stainless steel satin. Stainless steel lever or compact bar, stainless steel mechanism. To combine to black or stainless steel handle on pull side. are.



EPN-Bar stainless steel,
encumbrance mm. 103.



EPN-Touch stainless steel,
encumbrance mm. 80.

CISA panic device

Certified according to EN 1125. It works on mortise lock, reversible. Opening of the door possible also pushing the passive leaf. Lever or compact bar model of different sizes, easily cut on site. On request other color possible.



Cisa lever bar,
encumbrance mm. 100.



Cisa Touch bar,
encumbrance mm. 73.

ELITE+ accessories: handles

PVC colored handle

Complete of plate with cylinder hole. Available in different colors (see table on page 18).



Stainless steel handle

Complete of plate with or without cylinder hole.



Fixed knob

Complete of plate with or without cylinder hole.



PVC black color

Stainless steel

Arm closing selector for Novoglass

It coordinates the closing of the leaves. Made of painted steel, fixed on the upper frame.

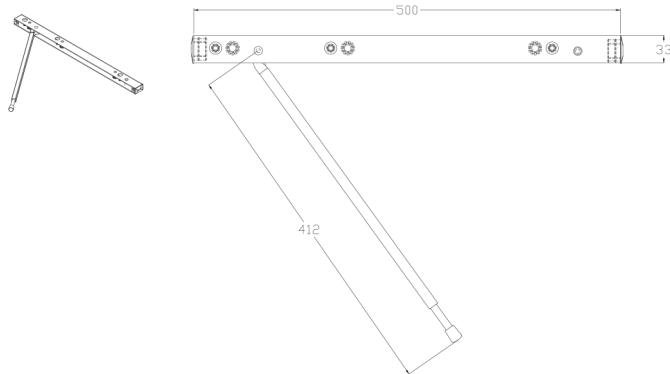
Standard equipment black color, on request stainless steel.



Selector device in closed position



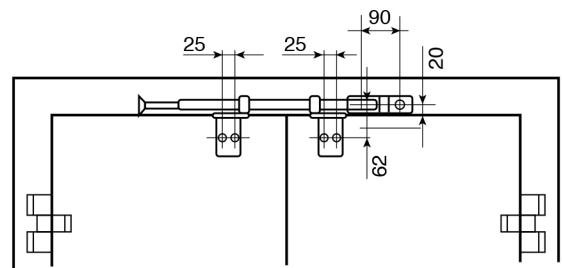
Vista braccetto selettore aperto



Arm closing selector for Stahlglass, Alustahl

It coordinates the closing of the leaves. Screwed on the frame, two leading supports on the leaf.

Standard equipment black color.
On request silver color.



Door closer system

Cam action door closer system mounted on mobile leaves, it allows a soft closing. Double system for speed closing regulation: A) with open door at 10°; B) with open door less than 10°.

Working by long slide channel mounted on fixed frame of the door. Closing selector inside the slide channel.

The whole system covered with aluminum cover silver or black color.

Leaf opening max at 180°.



GLAZED DOORS accessories: electromagnets

Hold-on electromagnet

Electro magnet to hold the leaves in open position, complete of switch button and moving plate for fixing to the wall.

Technical details:
 Power: 50 kg
 Voltage: 24 V
 Absorption: 60 mA



Wall electromagnet made of black plastic support for fixing and white top.

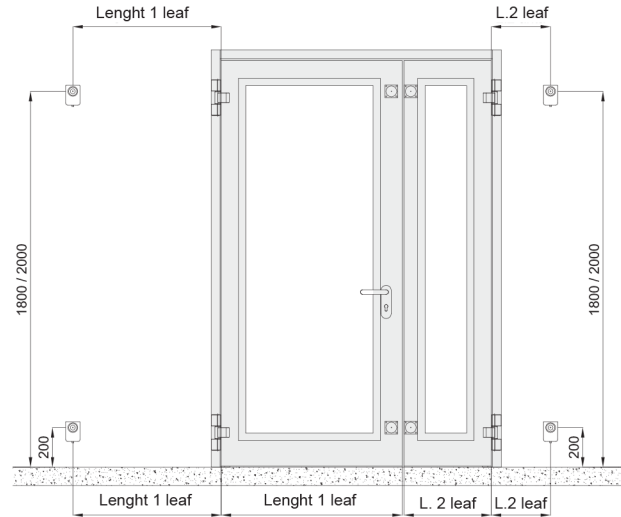


Floor/Top electromagnet made of adjustable tube shape plastic, black color.

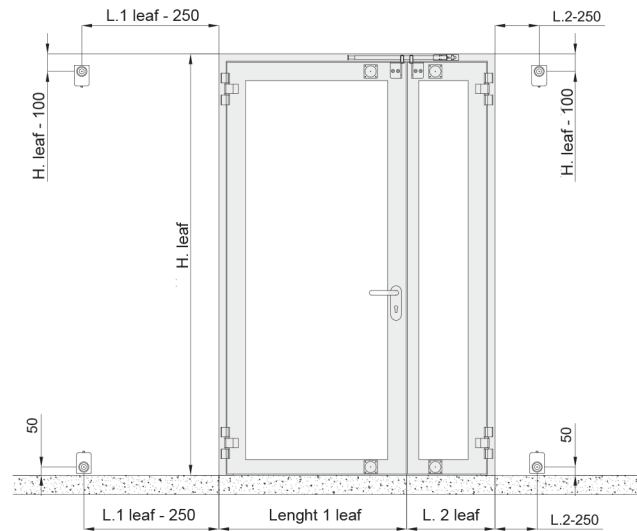


Moving plate.

Scheme for application of electromagnets on Novoglass door



Scheme for application of electromagnets on Stahlglass door



Security electromagnet / door holder

Electromagnet used to keep the leaves in closed position. Mounted in case of access control, in case of emergency the electromagnet releases the door and permits the closing.

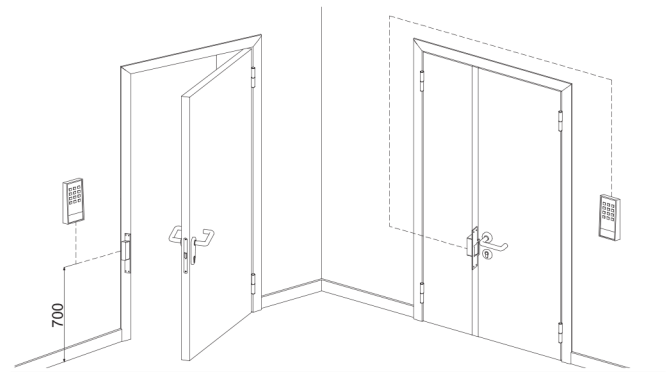
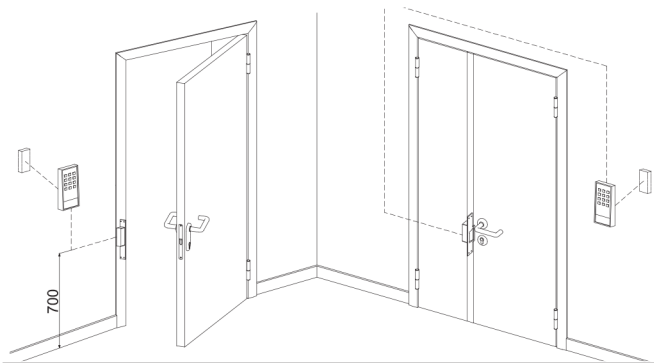
Technical details:
 Power: 300 kg
 Voltage: 12/24 V
 Absorption: 290/590 mA



Scheme for installation of electric strike

- Push side: open by switch
- Pull side: open by badge
- Power 12Vac/dc

- Push side: open by panic device or handle
- Pull side: open by badge
- Power 12Vac/dc



NOTE: Panic device has to be mounted on first leaf, not on passive one.

GLAZED DOORS accessories: access control

Electric handle

It permits the remote control opening of the door.
Reversible, neutral if no voltage, door opens by key (the key activates the handle, if key out the handle is no more active). Without timing, the handle opens only the time of the impulse.
Led inside the handle, it shows the door status.
Nichel-plated steel box, cover black or silver or grey color.



Technical details:
Voltage: 12/24 V
Working voltage: min. 5V max 28V
Absorption: 800 mA

Electric lock, only for Novoglass

Reversible, neutral if no voltage. If voltage, door opens with the key.
Without timing, the handle opens only the time of the impulse.



Technical details:
Voltage: 12 V
Absorption: 800 mA

Electric strike 118F

Electric door open with Fail Secure function. In case of power failure out, the door will be locked and can only be opened by key or panic device. Only suitable for single leaf door.



Technical details:
Voltage: 12/24 V
Absorption: 280/560 mA

Electric contacts

Mounted on doors with access control system, in order to avoid any risk of burglary.



Magnetic sensor device

Indoor flush mounted, cable connection.
Technical details:
Working: reed contact out NC with magnet
Temperature: -25°C +70°C
Max tension: 200 Vcc
Electricity max: 1 A
Power max: 10 W

High security magnetic device

Indoor flush mounted with high security level. Triple balancing magnetic circuit boards.
Technical details:
Working: reed contact out NC with magnet
Temperature: -10°C +40°C
Max tension: 300 mA
Max power: 3 W

Scheme for installation of electric lock

Electric lock model Yale

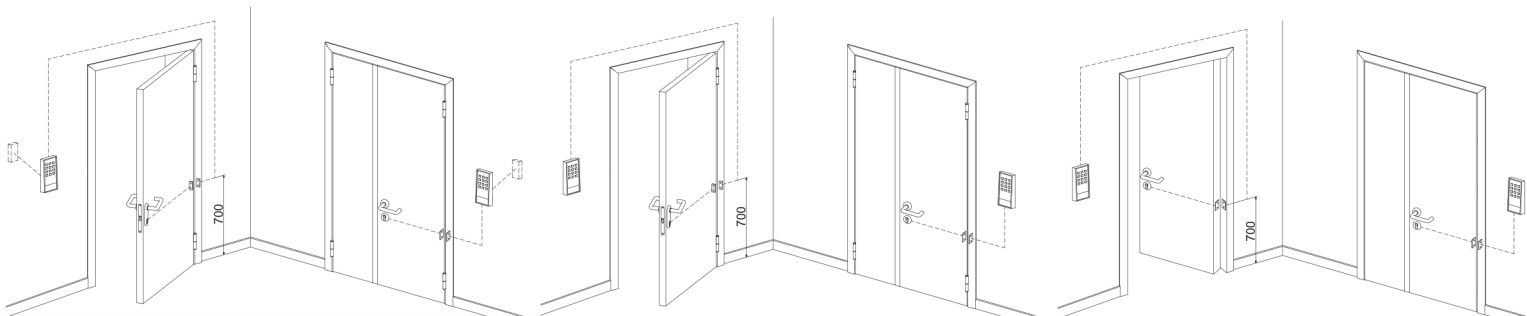
- Push side: open by switch
- Pull side: open by badge
- Power: 12 Vcc

Electric panic lock to push

- Push side: open by panic device or handle
- Pull side: open by badge
- Power: 12 Vcc

Electric panic lock to pull

- Push side: open by badge
- Pull side: open by handle
- Power: 12 Vcc



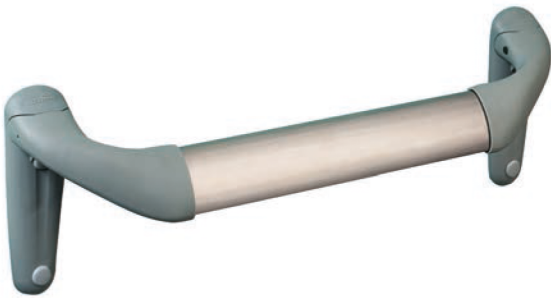
GLAZED DOORS accessories: panic devices

Novoguard panic device

Certified according to EN1125. It works on mortise lock, reversible, with a lever mechanism on ball bearing which actions the device with a minimum effort.
Aluminum bar of different sizes and easily cut on site.
Action mechanism black or grey color.



Novoguard aluminum bar, encumbrance mm. 79.



Novoguard stainless steel bar satin, encumbrance mm. 79.

Novopush panic device only for Novoglass

Certified according to EN1125. It works on mortise lock, reversible, with a push mechanism on ball bearing.
Aluminum compact bar in painted steel black color or stainless steel finish. Different sizes easily cut on site. Cover plastic black or grey color.



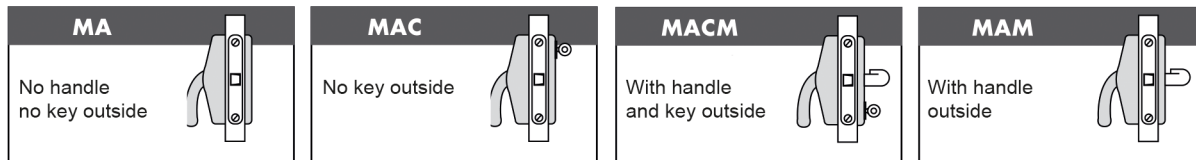
Novopush stainless steel finish, encumbrance mm. 73.



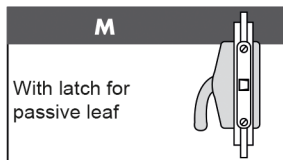
Novopush black bar with photoluminescent strip, encumbrance mm. 73.

Possible solutions:

First leaf



Second leaf



EPN panic device stainless steel

Certified according to EN 1125. It works on mortise lock, reversible. Completely constructed in stainless steel satin. Stainless steel lever or compact bar, stainless steel mechanism. To combine to black or stainless steel handle on pull side.



EPN-Bar stainless steel,
encumbrance mm. 103.



EPN-Touch stainless steel,
encumbrance mm. 80.

CISA panic device

Certified according to EN 1125. It works on mortise lock, reversible. Opening of the door possible also pushing the passive leaf. Lever or compact bar model of different sizes, easily cut on site. On request other color possible.



Cisa lever bar,
encumbrance mm. 100.



Cisa Touch bar,
encumbrance mm. 73.